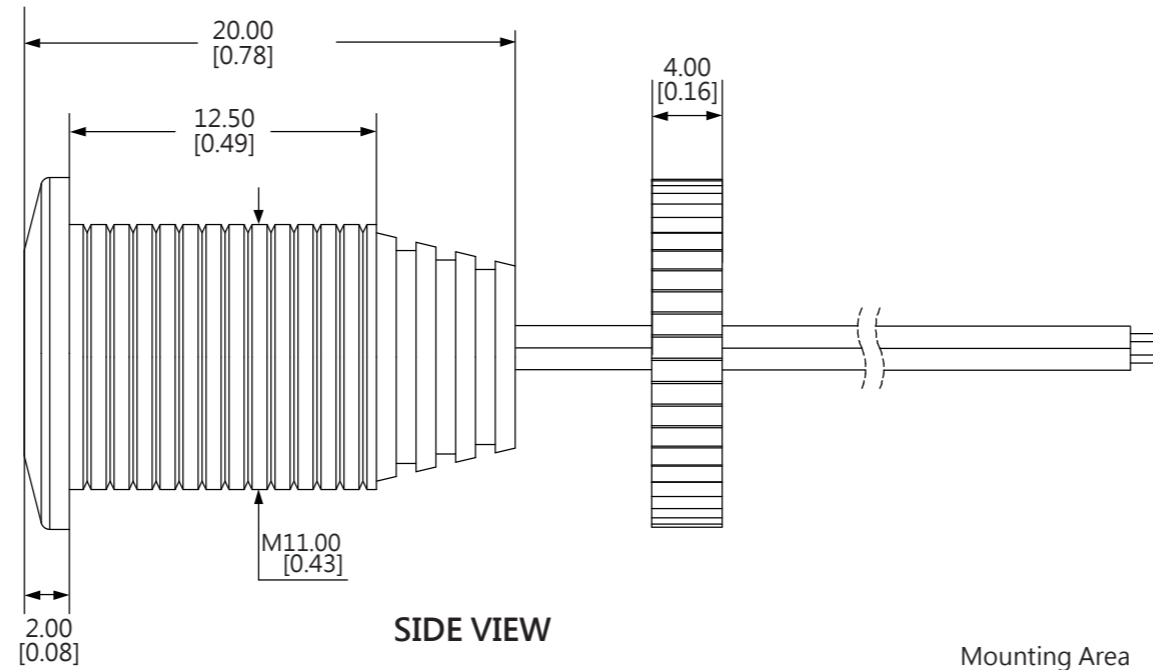
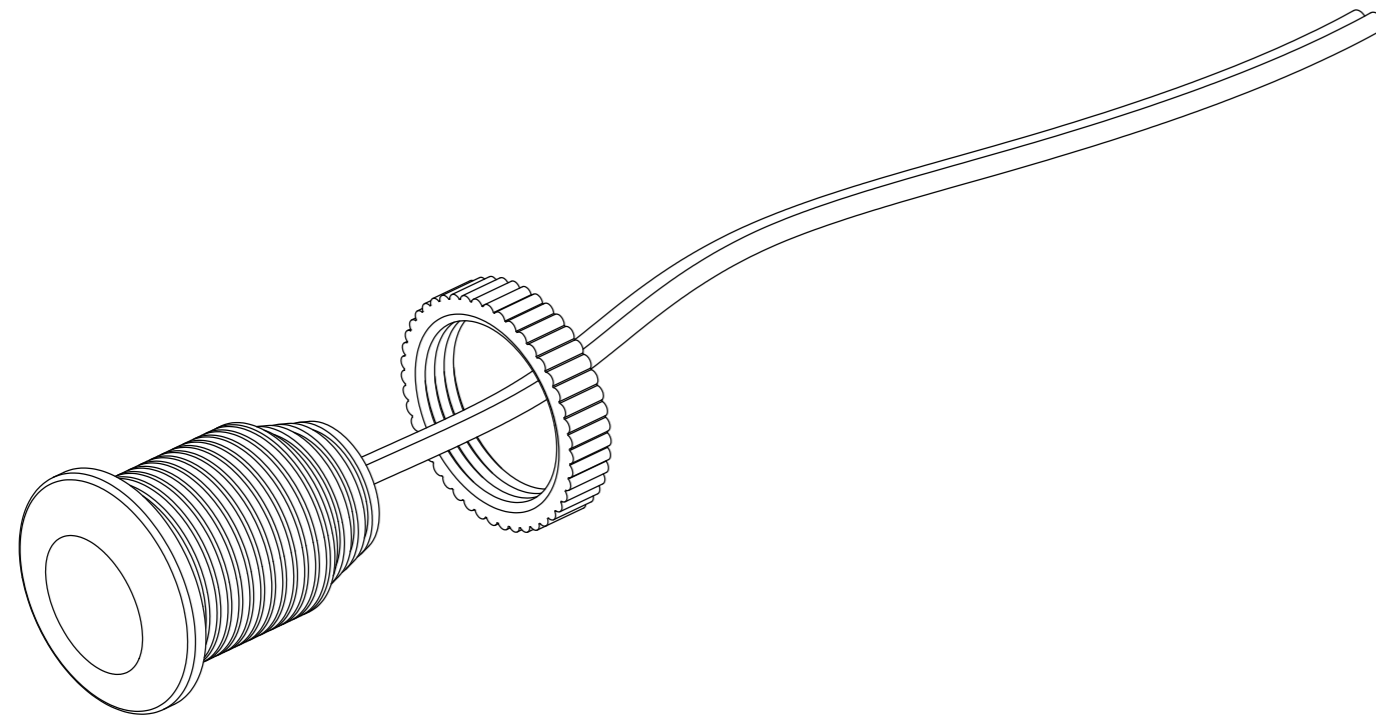


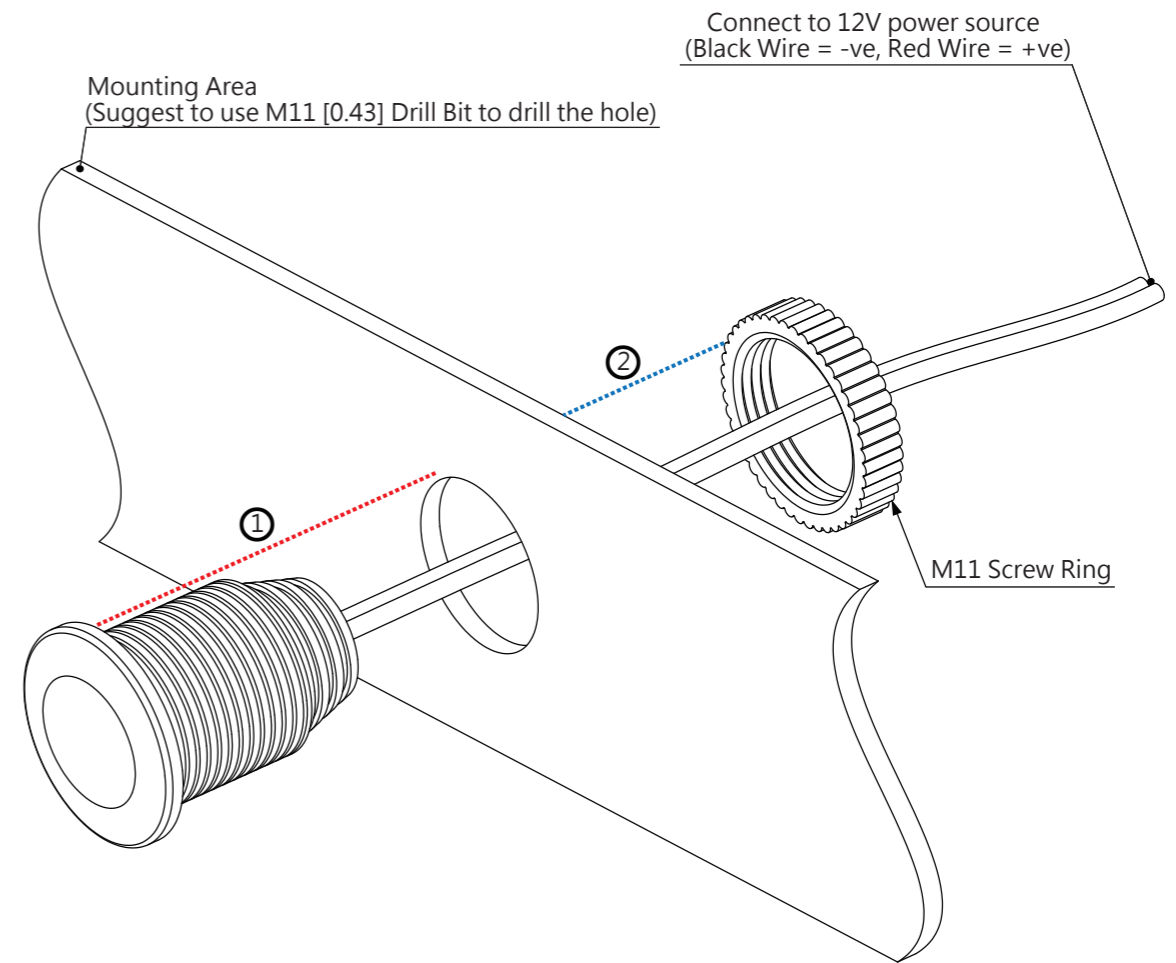
FRONT VIEW



SIDE VIEW




ISOMETRIC VIEW



INSTALLATION DIAGRAM

All dimensions in millimeters [Inches]

<b>Technical Information (Per module):</b>			
Operating Voltage: DC 12V			
Number of LEDs: 1 LED		11mm High Intensity Flush Mount LED Bolt(Without LEN)	
Maximum Power Consumption: 38 mA (0.46W)		DRAWING NUMBER: OZ100-04	
Heat Dissipation: Below 45 C / 113 F		VERSION: A	
Net Weight: 14g		PAGE: 1 of 1	