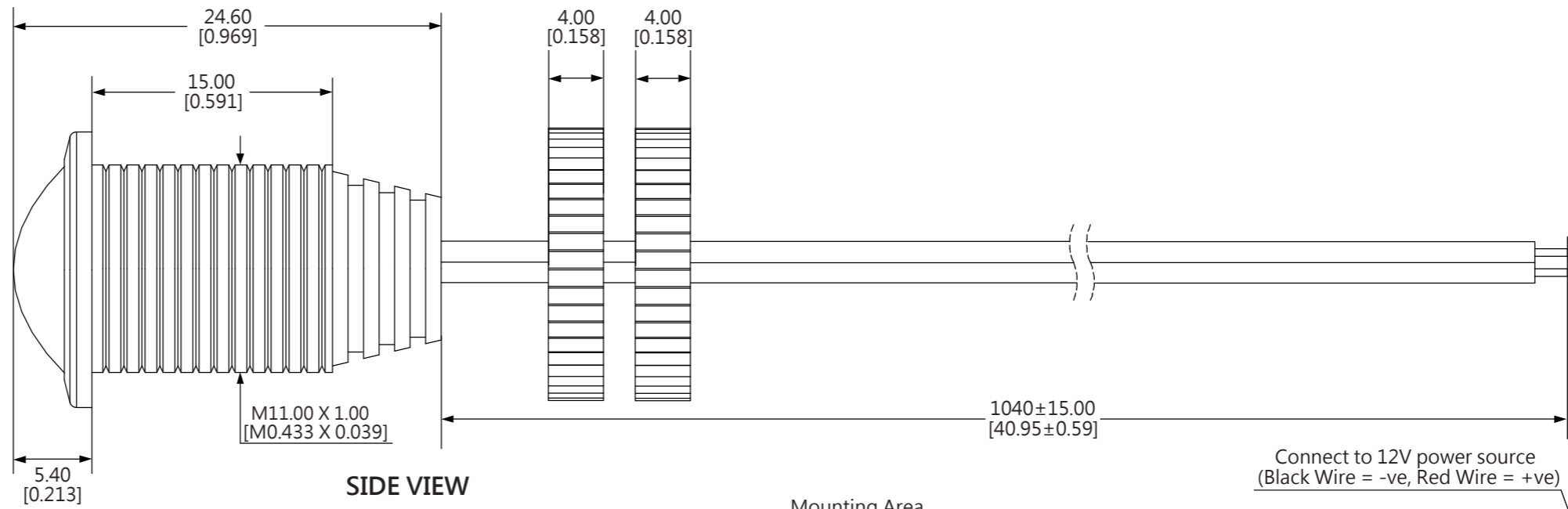


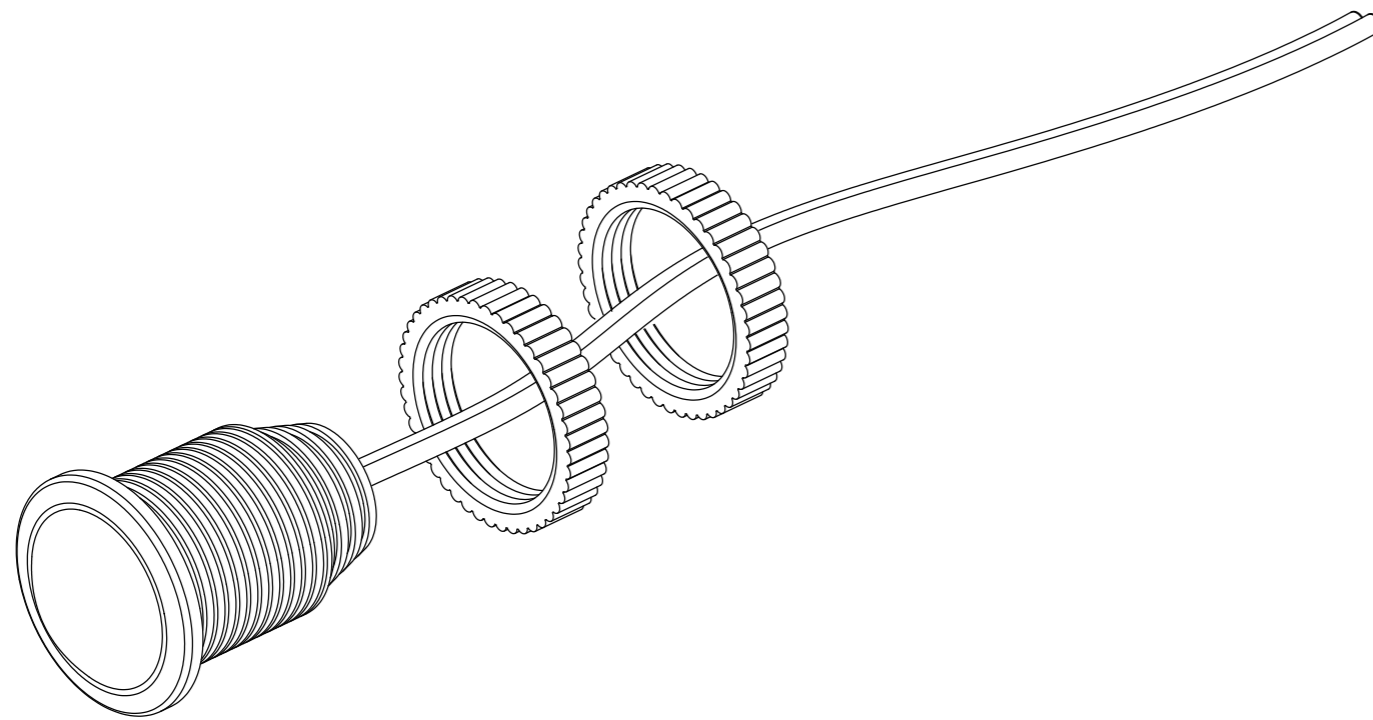
FRONT VIEW



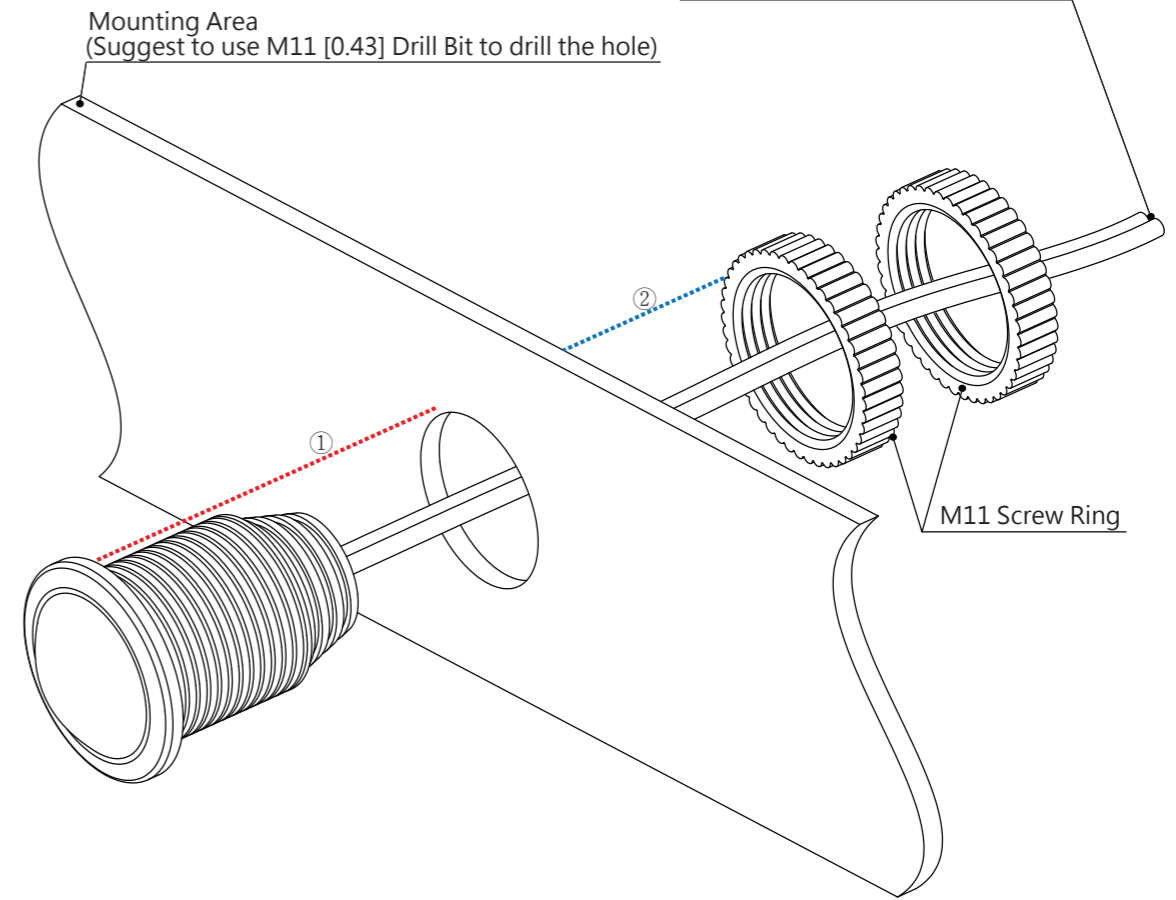
SIDE VIEW

Connect to 12V power source
(Black Wire = -ve, Red Wire = +ve)

Mounting Area
(Suggest to use M11 [0.43] Drill Bit to drill the hole)



ISOMETRIC VIEW



INSTALLATION DIAGRAM

All dimensions in millimeters [Inches]

| | | | |
|--|-----------|-----------------------------------|--|
| Technical Information (Per module): | | | |
| Operating Voltage: DC 12V | | | |
| Maximum Power Consumption: 40 mA (0.5W) | | PRODUCT NAME: | |
| Heat Dissipation: Below 45 °C/ 113 °F | | Flush Mount LED Bolt | |
| Net Weight: 14g | | VERSION: | |
| | | 11mm/ With lens/ Aluminum Housing | |
| PRODUCT NUMBER: | REVISION: | PAGE: | |
| 442 | B | 1 of 1 | |