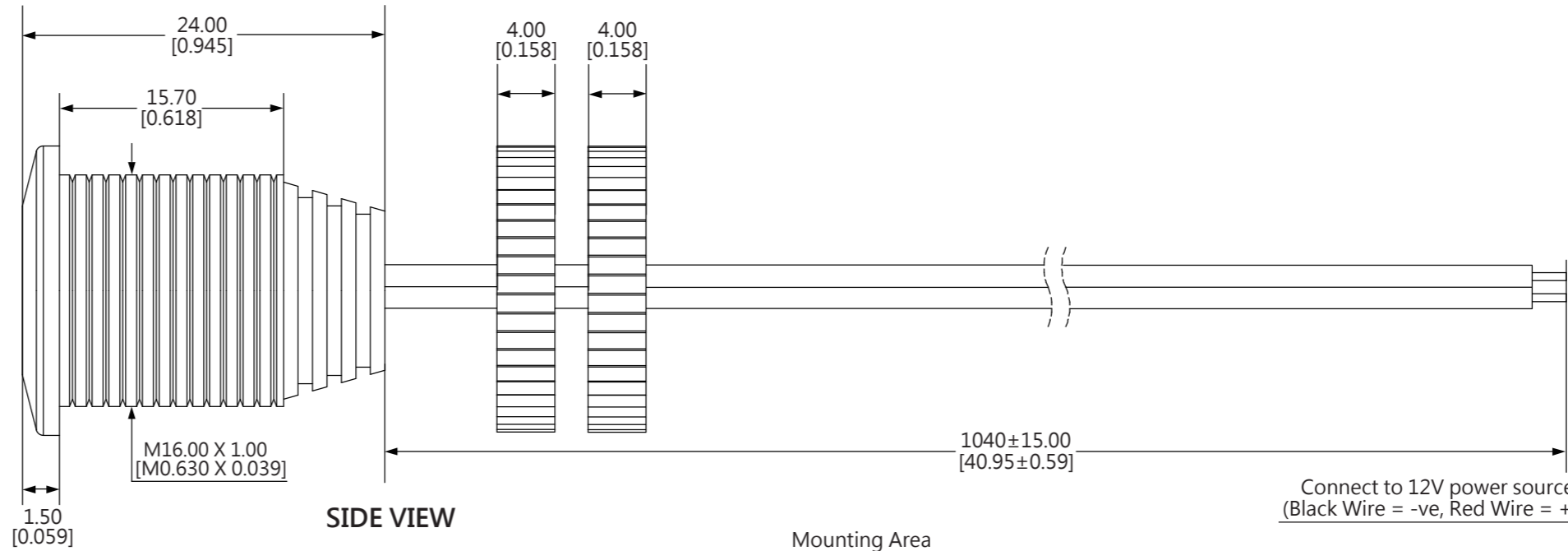


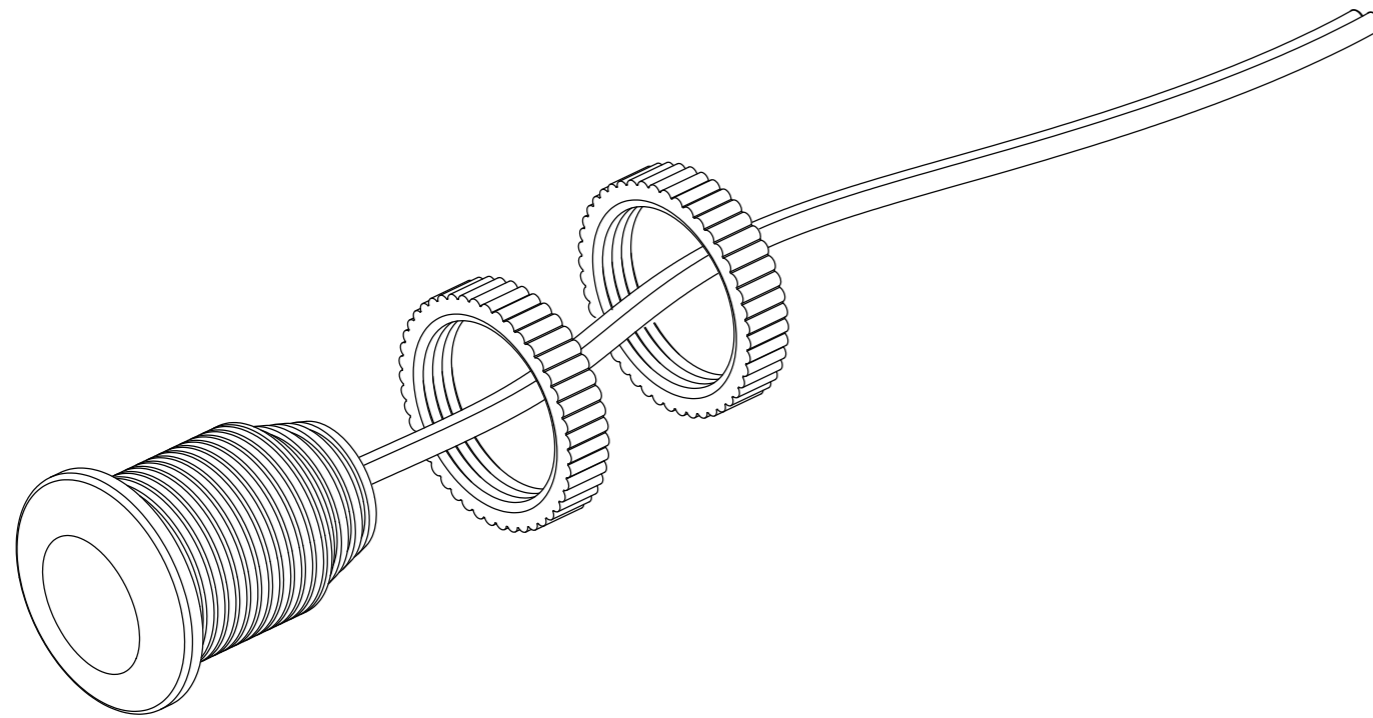
FRONT VIEW



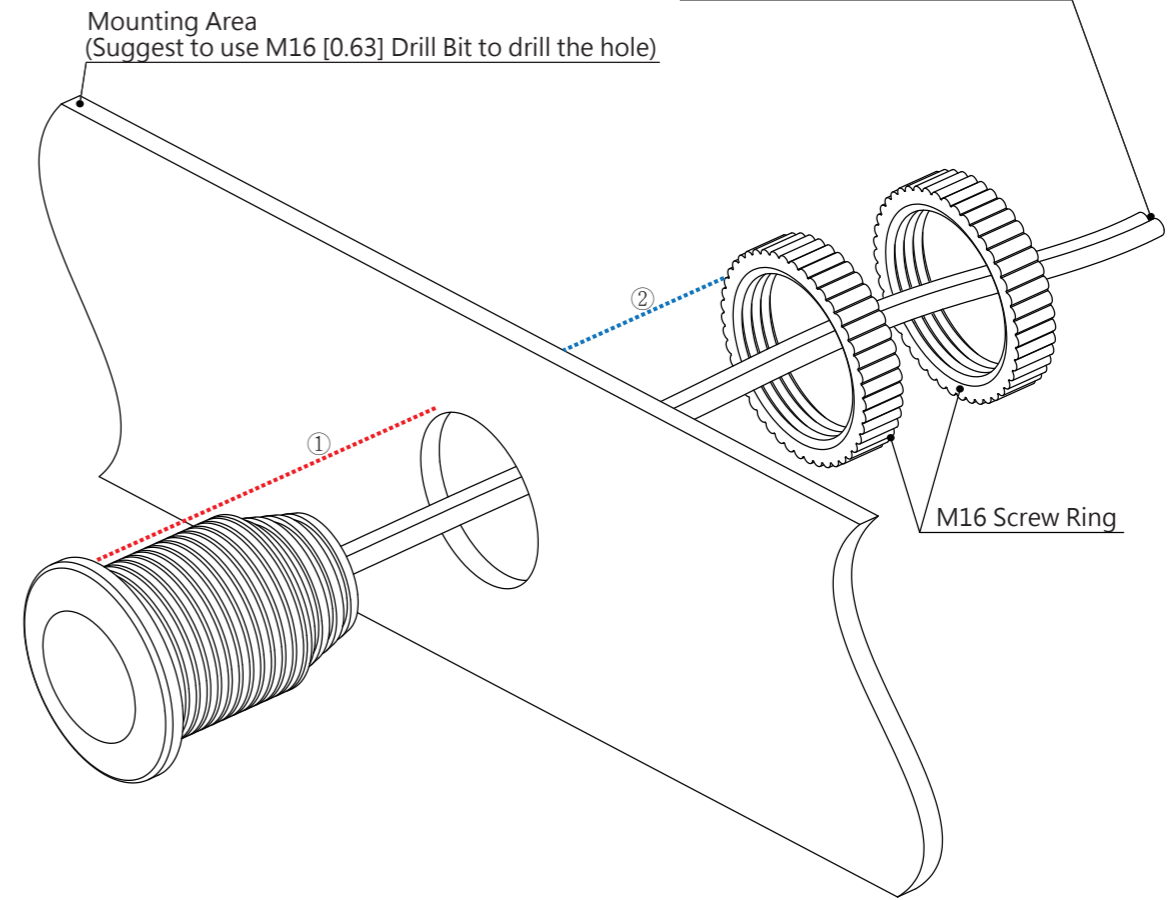
SIDE VIEW

Connect to 12V power source
(Black Wire = -ve, Red Wire = +ve)

Mounting Area
(Suggest to use M16 [0.63] Drill Bit to drill the hole)



ISOMETRIC VIEW



INSTALLATION DIAGRAM

M16 Screw Ring

Technical Information (Per module):			
Operating Voltage: DC 12V			
Maximum Power Consumption: 40 mA (0.5W)		PRODUCT NAME: Flush Mount LED Bolt	
Heat Dissipation: Below 45 °C/ 113 °F		VERSION: 16mm/ No lens/ Aluminum Housing	
Net Weight: 20g		PRODUCT NUMBER: 442	REVISION: B
		PAGE: 1 of 1	

All dimensions in millimeters [Inches]