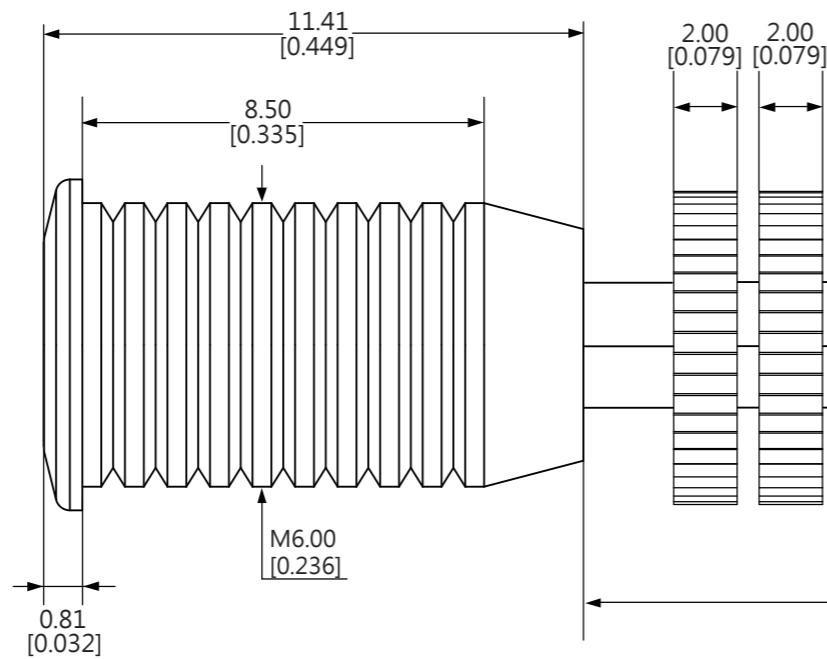
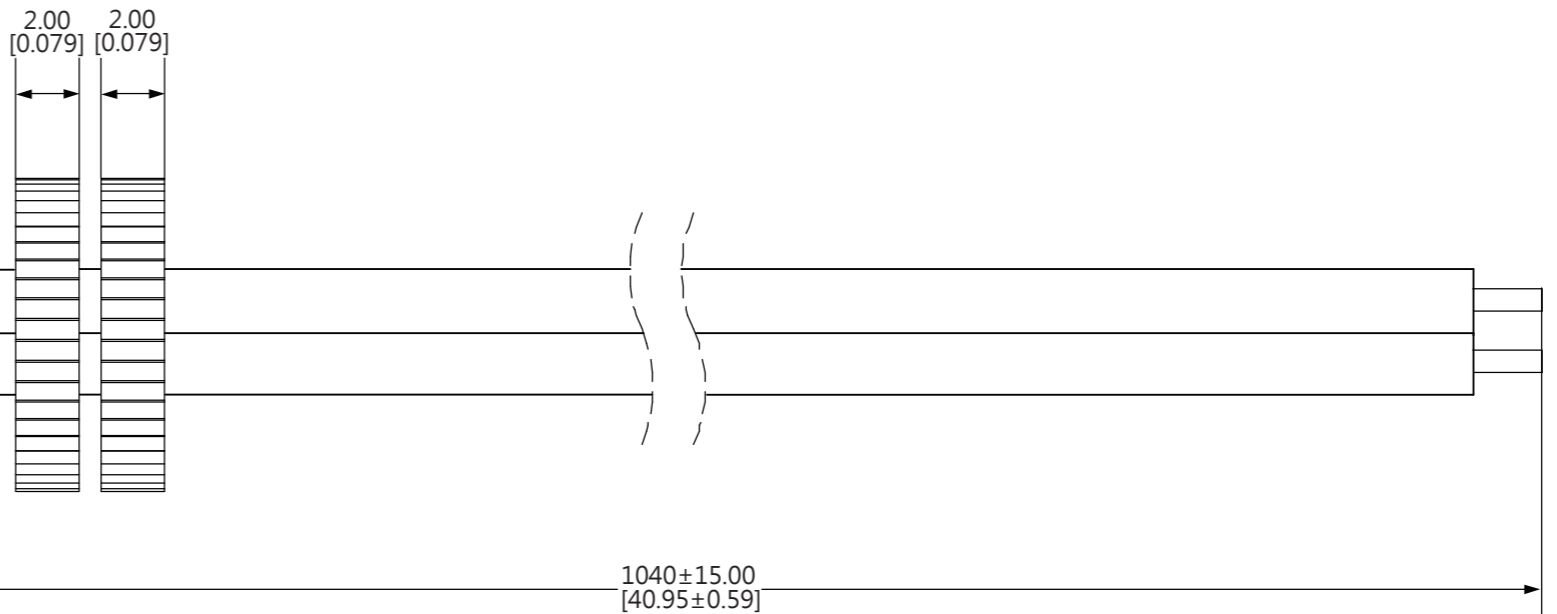


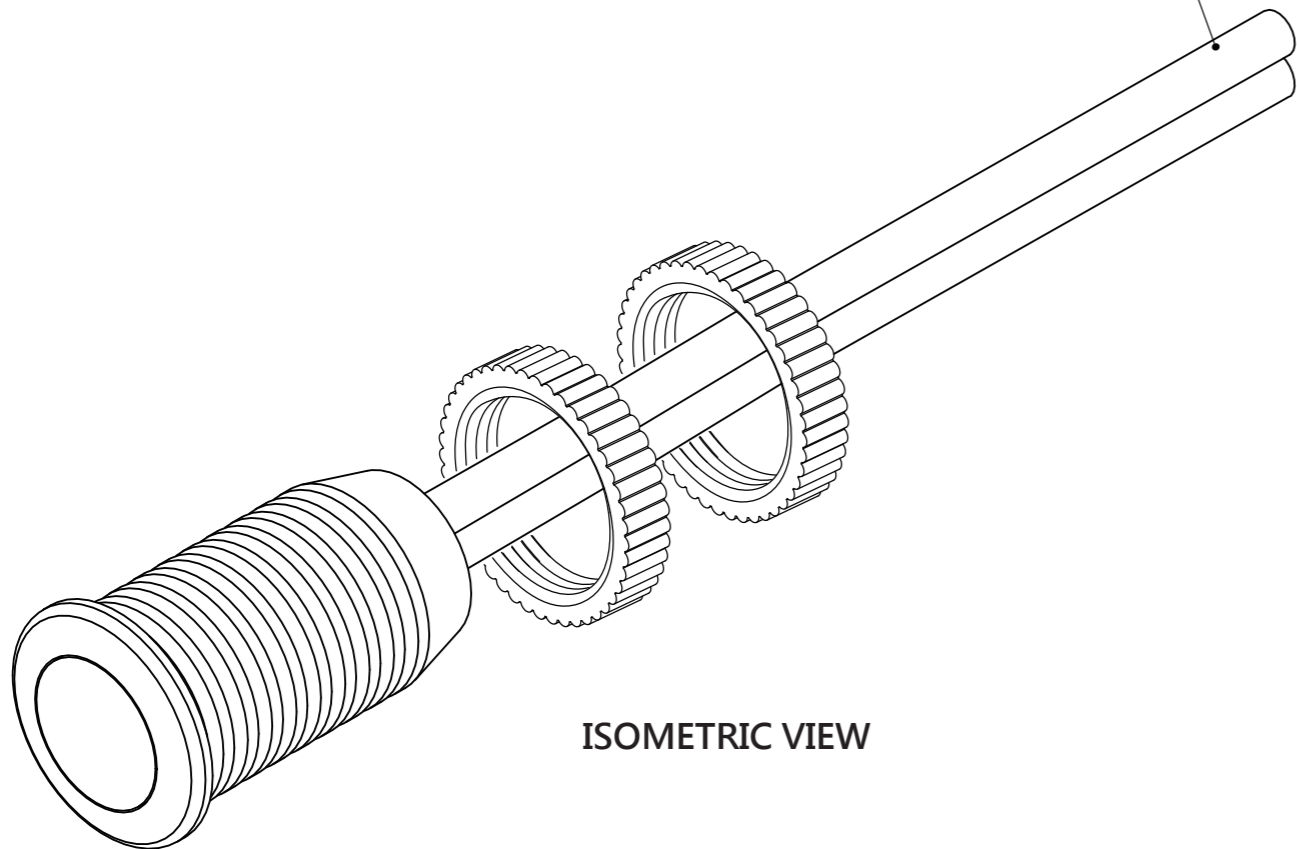
FRONT VIEW



SIDE VIEW

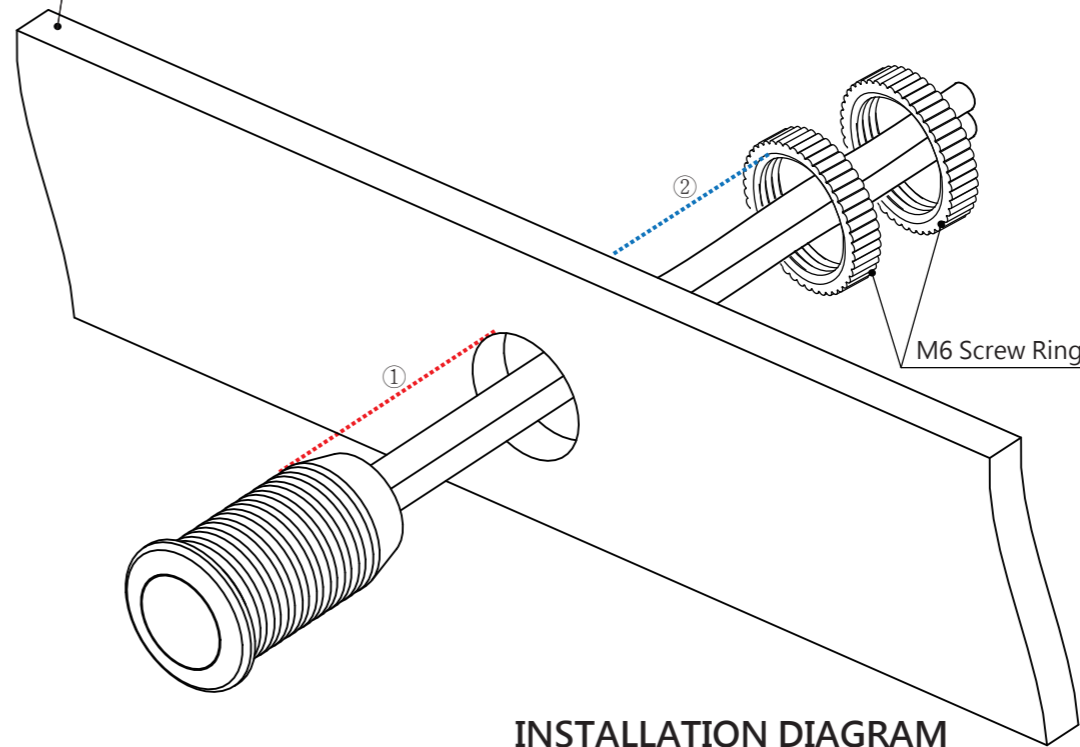


Connect to 12V power source  
(Black Wire = -ve, Red Wire = +ve)



ISOMETRIC VIEW

Mounting Area  
(Suggest to use M6 [0.236] Drill Bit to drill the hole)



INSTALLATION DIAGRAM

All dimensions in millimeters [Inches]

<b>Technical Information (Per module):</b>			
Operating Voltage: DC 12V			
Maximum Power Consumption: 20 mA (0.2W)		PRODUCT NAME: Flush Mount LED Bolt	
Heat Dissipation: Below 45 °C/ 113 °F		VERSION: 6mm/ No lens/ Aluminum Housing	
Net Weight: 7g		PRODUCT NUMBER: 442	REVISION: C
		PAGE: 1 of 1	