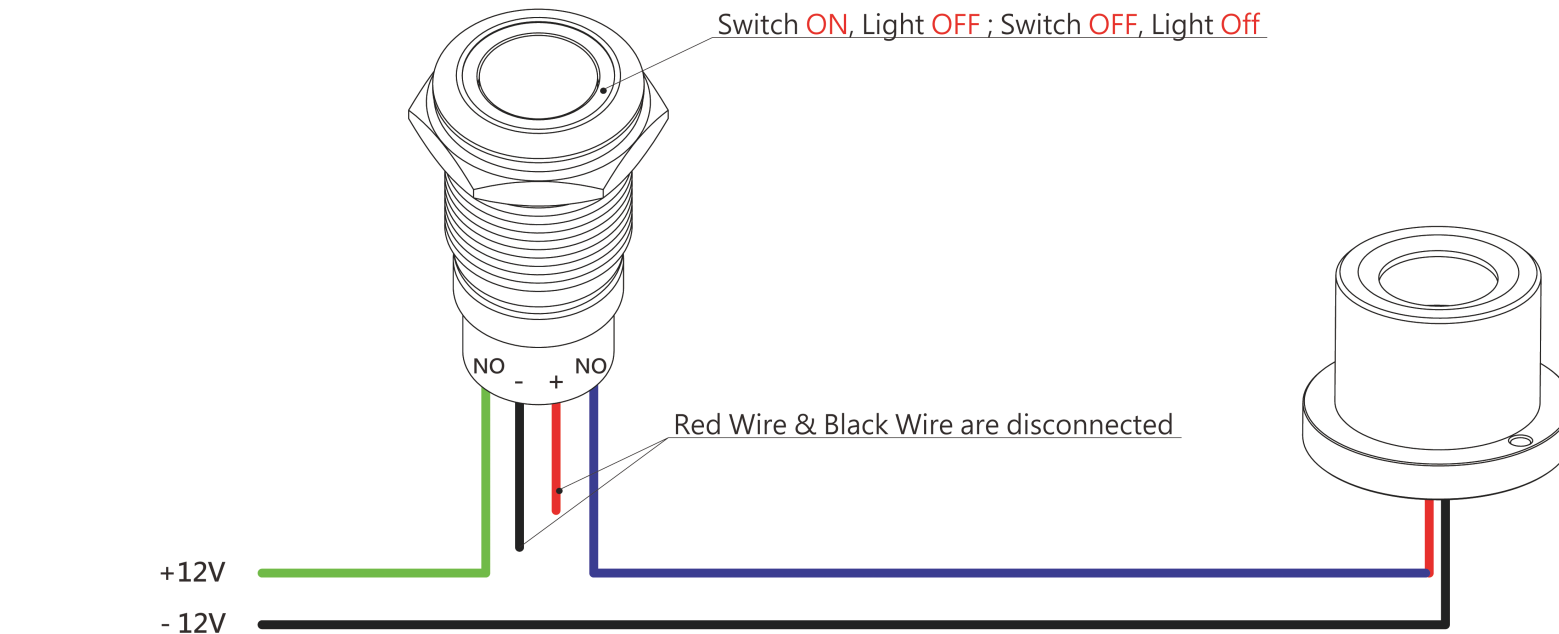


# Waterproof Anti-vandal LED Switch Connection



Power Source

Connection 1 (Switch LED **Disable**)