



USER GUIDE lightbox

MULTI-ZONE WIRELESS LED / LED RGB CONTROLLER

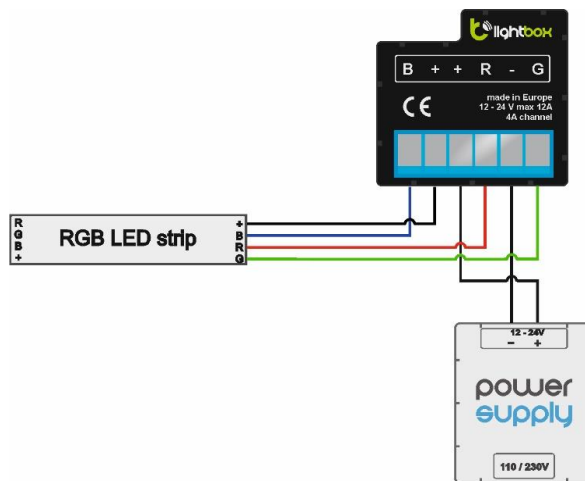


LightBox is the world's smallest, wireless controller based on the Bluetooth technology of the fourth generation. It allows you to control lighting LED lighting - LED color (RGB) and single-color using a smartphone or tablet.

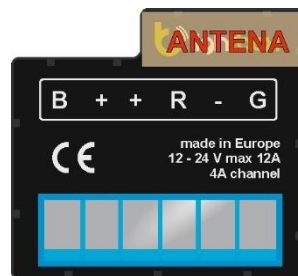
	Important: Before starting the installation, make sure the power is off and you read the following instructions carefully.
	Connect only in accordance with the diagram presented in the manual. Improper connections may be dangerous.
	Do not connect the device to loads exceeding recommended values.

INSTALLATION

Connect the power supply and light source (e.g. the LED strip) according to the scheme:



1. Make sure that the device is properly connected and the antenna is far away from metal objects, electrical cables, etc., which may affect the signal.



2. Turn on the power.

SETTINGS

3. Check the compatibility of connections with the diagram and turn on the power.
4. Download and run the application **BleBox** on your smartphone. The application can be downloaded from: <http://blebox.eu/pl/bleboxApp> or Appstore.

USE

5. After starting the application, the device is detected and displayed in the list automatically. If this did not happen, make sure Bluetooth is enabled on your phone.

TECHNICAL SPECIFICATIONS

lightBox

Electrical parameters			
Supply voltage	12 – 24 V DC	Channels	3
Max current	12A	Current /channel	4A
Control	PWM		
Physical characteristics			
Dimensions	39 x 33 x 20 mm	Operating range	From 0 to + 40°C
Housing	made of polyurethane composition not containing halogens, self-extinguishing for thermal class B (130 °C)	Protection	inverted polarization, ESD
Communication			
Technology	Bluetooth Low Energy 4.0	Independent channels	3
Transmission Range	bi-directional up to 20 m in open space (inside buildings the range may be limited to 10m depending of the construction materials used in building and device positioning)	Power signal	1mW
		Compatible devices	Apple iPhone, Apple iPad, iPad Mini, Android4.3 and newer.

For more information visit our website www.blebox.eu or contact us by email to info@blebox.eu. Technical support support@blebox.eu.



Proudly made by:
Blebox sp. z o.o.
Kunickiego 63 Street,
54-616 Wrocław, Poland
www.blebox.eu