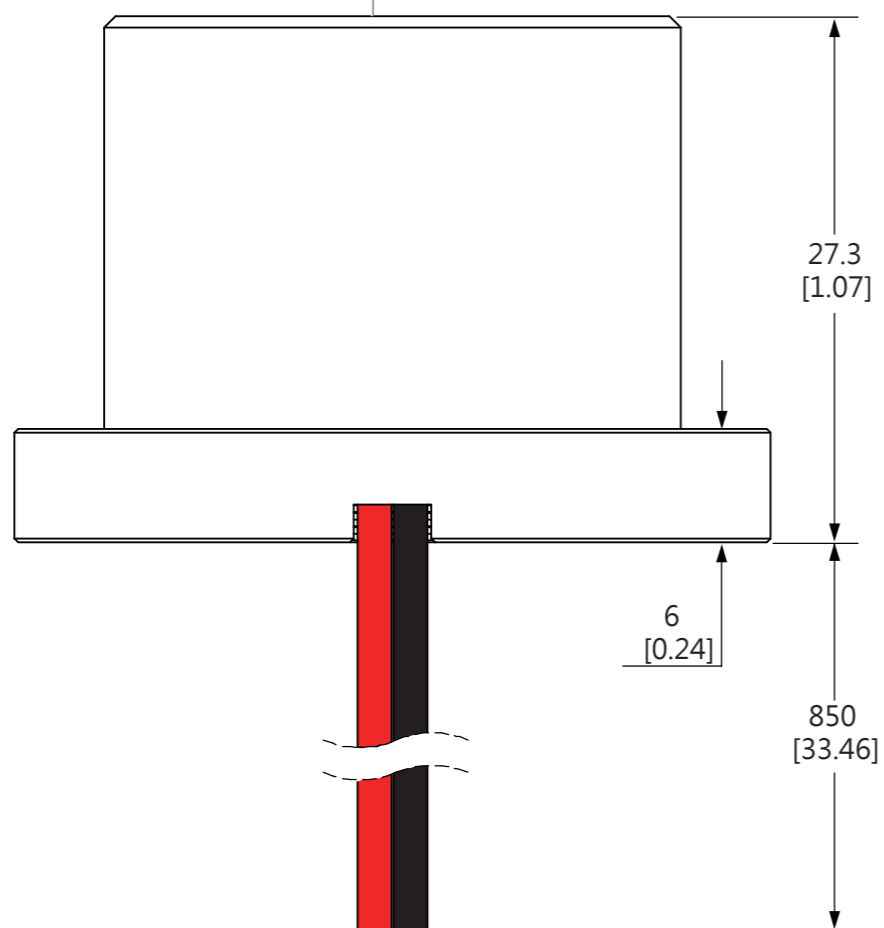
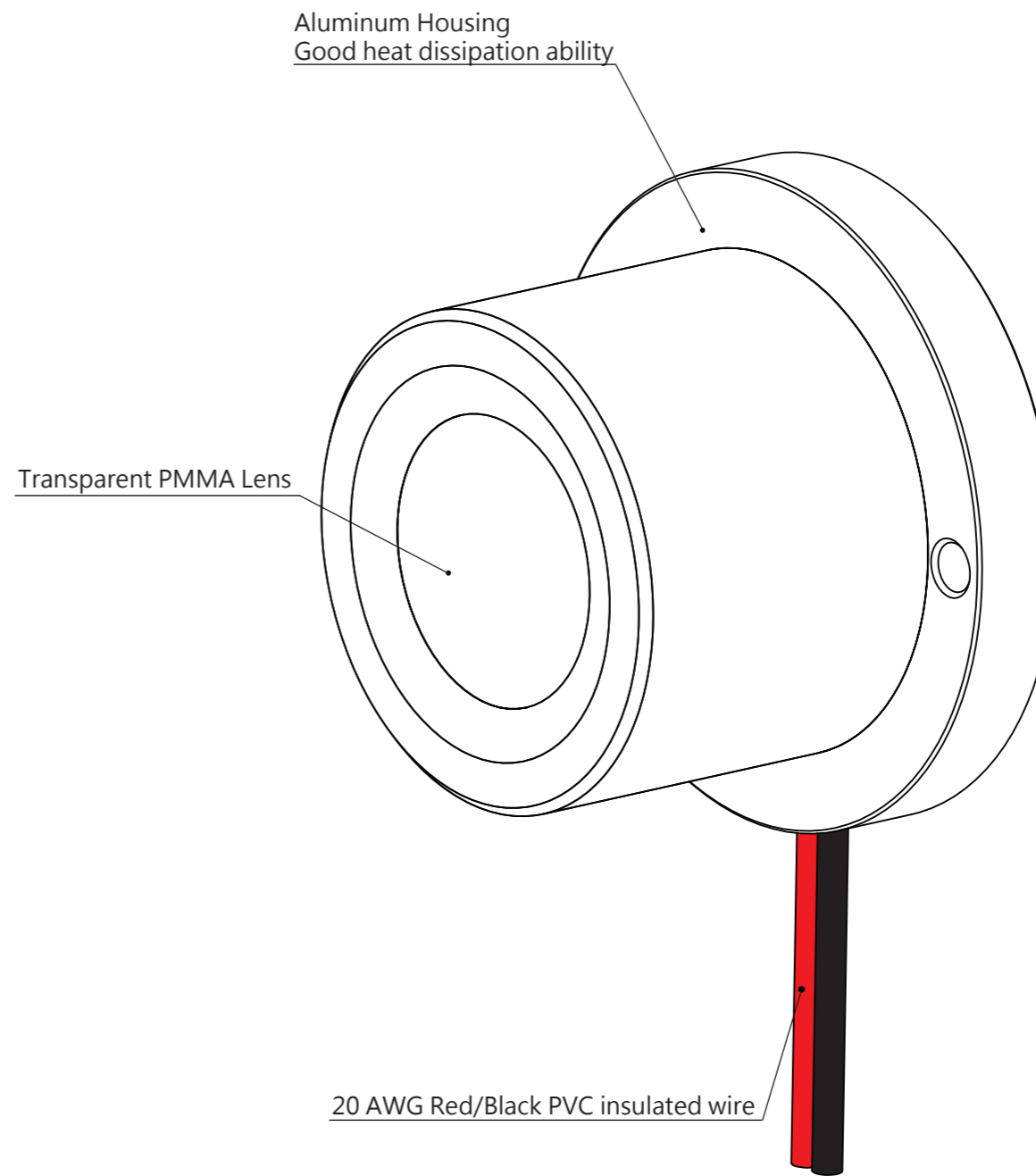


TOP VIEW



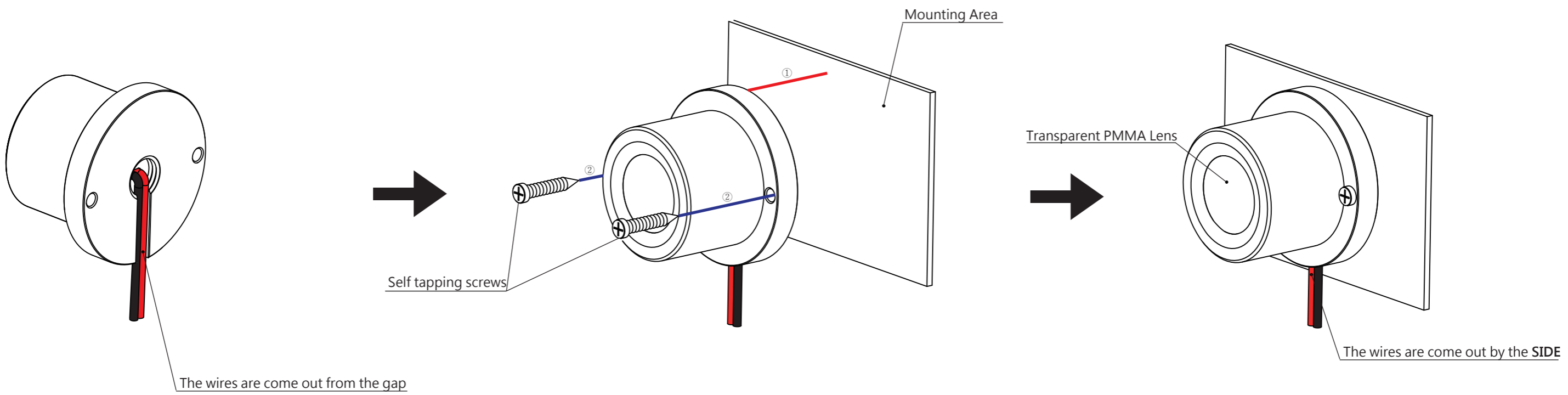
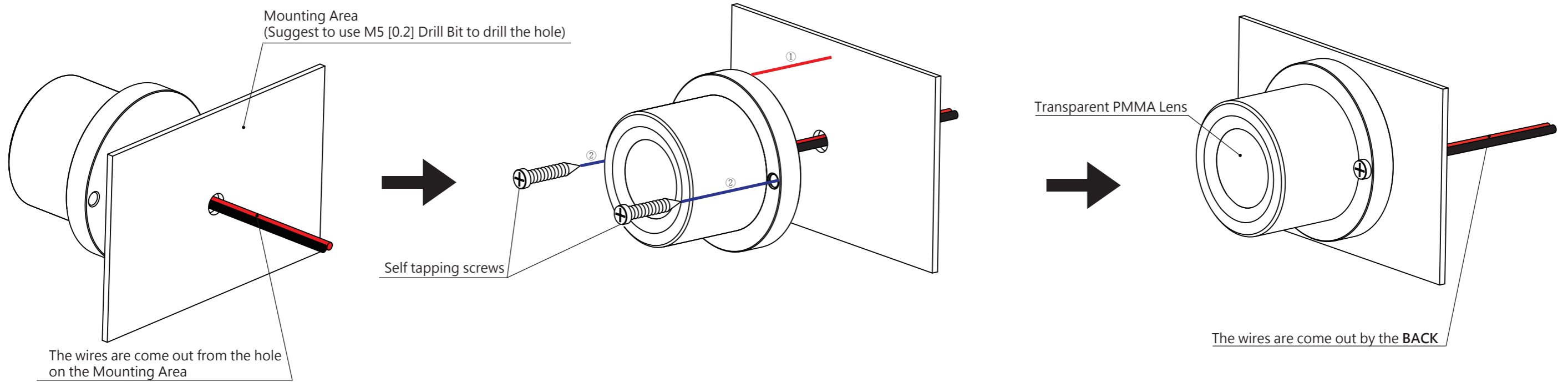
FRONT VIEW

All dimensions in millimeters [Inches]



ISOMETRIC VIEW

Technical Information (Per module):			
Operating Voltage: AC/DC 12-24V			
Maximum Power Consumption 1W at 12V: 90 mA (1.1W)		PRODUCT NAME:	
1W at 24V: 50 mA (1.2W)		High Intensity LED Spot	
Maximum Power Consumption 3W at 12V: 180 mA (2.2W)		VERSION:	
3W at 24V: 90 mA (2.2W)			
Heat Dissipation: Below 45 °C / 113 °F		PRODUCT NUMBER:	REVISION:
Net Weight: 50.5g		258	C
		PAGE:	
			1 of 2



INSTALLATION DIAGRAM

All dimensions in millimeters [Inches]

ozniun.com		
PRODUCT NAME: High Intensity LED Spot		
VERSION:		
PRODUCT NUMBER: 258	REVISION: C	PAGE: 2 of 2