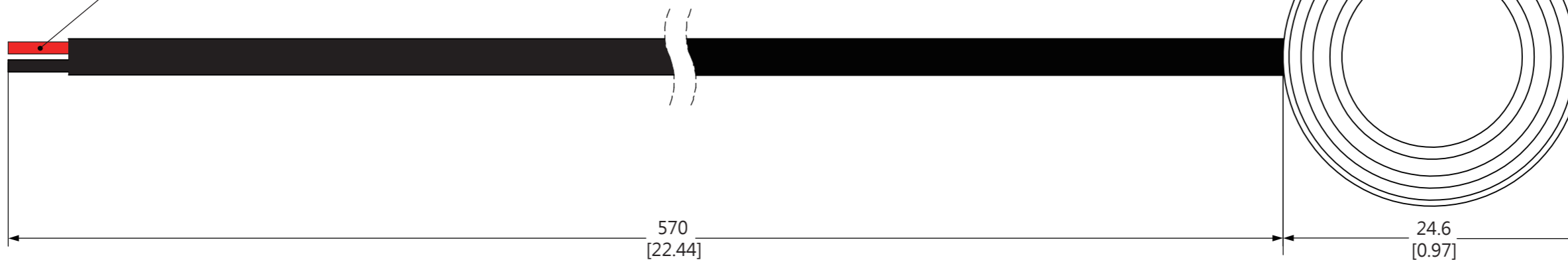


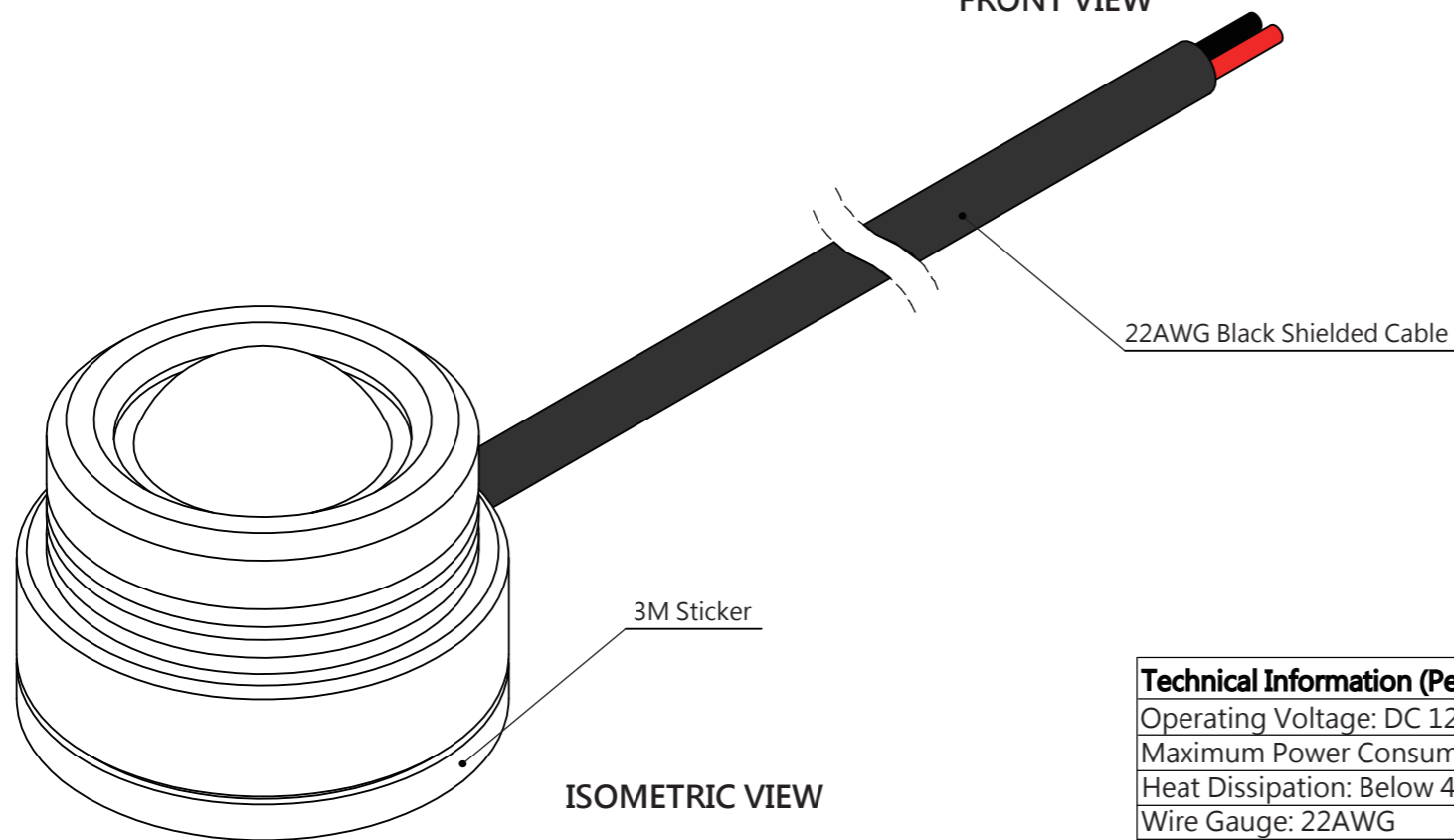
Connect to 12V Power Source
(Red Wire = +ve, Black Wire = -ve)



TOP VIEW



FRONT VIEW



ISOMETRIC VIEW

Technical Information (Per module):

Operating Voltage: DC 12V
 Maximum Power Consumption: 75 mA (0.9W)
 Heat Dissipation: Below 45 °C / 113 °F (LED)
 Wire Gauge: 22AWG
 IP Rating: IP67
 Net Weight: 21g



PRODUCT NAME:
LED Eagle Eyes

CUSTOMER:

PRODUCT NUMBER:	REVISION: A	PAGE: 1 of 1
-----------------	----------------	-----------------