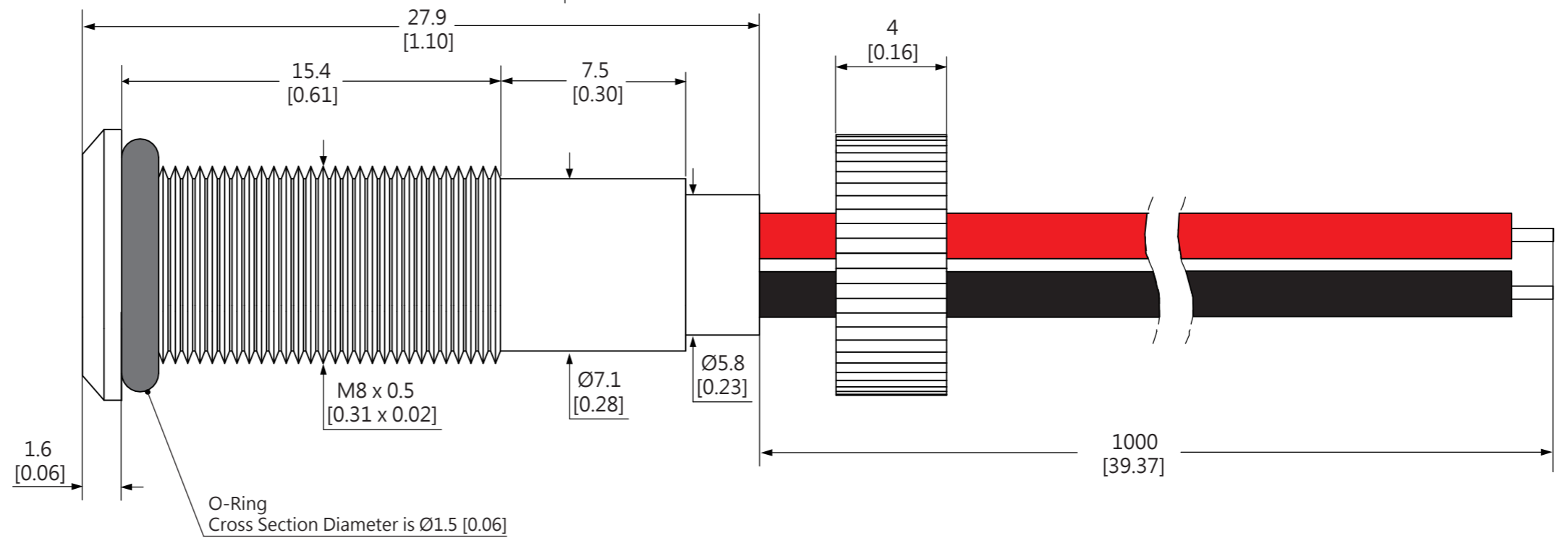
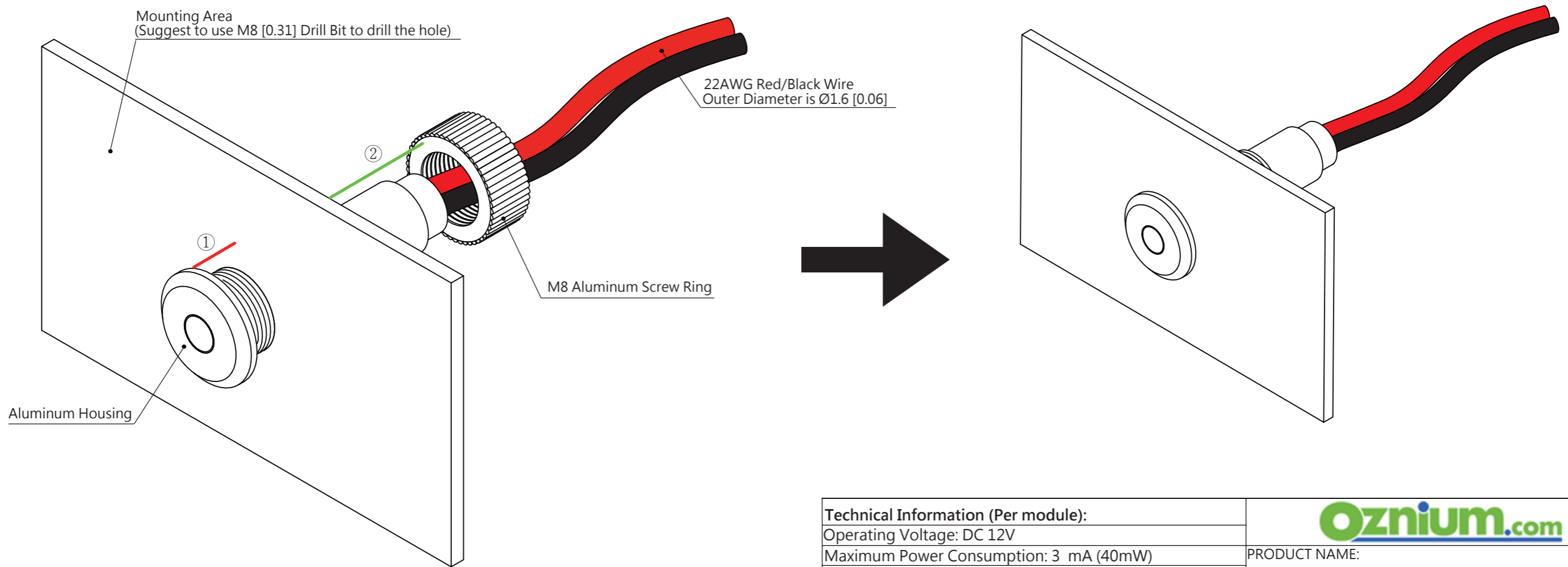


FRONT VIEW



SIDE VIEW



INSTALLATION DIAGRAM

All dimensions in millimeters [inches]

| | | | | | |
|--|--|--|---|--|--------------|
| Technical Information (Per module): | | | | | |
| Operating Voltage: DC 12V | | | | | |
| Maximum Power Consumption: 3 mA (40mW) | | | PRODUCT NAME: Aluminum LED Indicator Light | | |
| Heat Dissipation: Below 35 °C/ 95°F | | | VERSION: | | |
| Net Weight: 15.5g | | | PRODUCT NUMBER: 369 | | |
| | | | REVISION: C | | PAGE: 1 of 1 |